

Mercmaster™ LED Generation 3 Zone 1 Series Luminaires

Enclosed and Gasketed Fixtures

ATEX/IECE:
 Zone 1, 2, 21, 22
 Ex eb mb op is IIC
 II 2 GD
 IP66/67
 IK08

Applications

- Enclosed and gasketed fixtures suitable for use in:
 - A wide range of industrial, chemical processing and other areas where flammable gases and vapors or combustible dusts are present
 - Marine and wet locations
 - Areas of low clearance, low ceiling heights or where fixture weights must be minimized
 - Suitability includes use where there may be simultaneous exposure to flammable gases and vapors or combustible dusts
- Typical applications include:
 - Power plants
 - Processing plants
 - Chemical plants
 - Oil refineries
 - Waste and sewage treatment
 - Other areas where dust, water, dirt and rough usage are a problem

Features

- Modular design provides thousands of combinations for maximum versatility.
- Design is suited for low mounting heights, from 2m (7ft), up to 9m (30 ft).
- Seven light outputs provide up to 17,800 lumens.

Nominal Lumens ①	HID Equivalent	Model Number
3800	75-100W	MGZL3
5600	150-175W	MGZL5
7900	175-250W	MGZL7
10,000	300-350W	MGZH9
12,400	400W	MGZH1
14,800	450-500W	MGZH3
17,800	600W	MGZH6

① Nominal lumen value for 5000K, clear glass globe
 Type V wide. Detailed lumen information is provided in tables.

- Optically integrated silicone encapsulant provides Zone 1 protection and an symmetrical IES Type V Wide light distribution.
- Choice of color temperature (CCT): 5000K cool white, 4000K neutral white or 3000K warm white.
- Customize to the application requirements with three different globe options: clear and diffused polycarbonate, or clear glass.
- Six standard mounting hood designs allow for mounting in any location. Uses same mounting hoods as Mercmaster™ III and Mercmaster LED.
- Hinge has high lip for added safety during installation and servicing. Hinge and bolt construction assures 360° compression at all points on fixture housing gasket for positive sealing. Swing away design of captive bolt and nut simplifies installation.
- Rugged housing with superior thermal design translates to long luminaire life.
- Luminaire housing has wiring compartment with terminal block separate for easy wiring access.
- Standard screw-type terminal block can accept 4 to 6 mm², and UL/CSA 26-10 AWG, wire.



MGZL



MGZH

- Standard 6 kV surge protection.
- Heavy duty, high temperature silicone gaskets.
- Photometric data and electronic drawings available online.
- Ambient Temperature: -40 °C to +65 °C (-40 °F to +149 °F)
- Standard NPT threads with M20 adapters.
- LED L70B10 reported at 60,000 hours.
- Field replaceable globes and LED driver.

Options

- Globe guard available, *purchase separately*.
- Safety cable available, *purchase separately*.
- Drain is available to divert water existing in the conduit system or from condensation, *purchase separately*.

Standard Materials

- Mounting hoods and bodies: cast copperfree (4/10 of 1% max. aluminum
- Gaskets: silicone
- All hardware and catch assemblies: stainless steel
- Globe: polycarbonate or glass
- Glass globe guard and safety cable: stainless steel wire

Standard Finishes

- Mounting hoods and bodies: gray epoxy powder coat finish, electrostatically applied for complete uniform protection.

Related Products


- Industrial Mercmaster™ LED Generation 3 Luminaries
- Mercmaster™ LED Low Profile Luminaires (Zone 2)
- Mercmaster™ Generation 3 LED Luminaires (Zone 2)

LED/HIGH BAY: NEC/CEC ENCLOSED AND GASKETED

APPLETON

Mercmaster™ LED Generation 3 Zone 1 Series Luminaires

Enclosed and Gasketed Fixtures

ATEX/IECEX:
Zone 1, 2, 21, 22
Ex eb mb op is IIC
 *II 2 GD*
IP66/67
IK08

ATEX/IECEX Certifications and Compliances

- Certification Type: Mercmaster Generation 3 LED Zone 1
 - Gas: Zone 1 and 2
 - Conforming to ATEX 2014/34/EU: II 2G
 - Type of Protection: Ex eb mb op is IIC Gb
 - Temperature Class: T6 to T4
 - Dust: Zones 21 and 22
 - Conforming to ATEX 2014/34/EU: II 2 D
 - Type of Protection: Ex op is tb IIIC Db
 - Surface Temperature: +75°C to +100°C (167°F to +212°F)
- Ambient Temperature: -40 °C to +65 °C (-40 °F to +149 °F)
- ATEX Certificate: ITS18ATEX303680X
- IECEx Certificate: IECEx ITS 18.0041X_0
- Index of Protection according to EN/IEC 60529: IP66/67
- Impact Resistance (shock): IK08
- Photobiological Safety, IEC 62778 and IEC 62471: RG0 with diffused polycarbonate, RG1 with clear glass or polycarbonate

LED/HIGH BAY- NEC/CEC ENCLOSED AND GASKETED

APPLETON™

Mercmaster™ LED Generation 3 Zone 1 Series Luminaires

Enclosed and Gasketed Fixtures

ATEX/IECEX:
Zone 1, 2, 21, 22
Ex eb mb op is IIC
II 2 GD
IP66/67
IK08

Illustrated Features

LED Flexibility and Modular Design



Encapsulated LED Components - Ex mb encapsulation method provides Zone 1 protection with low weight and superior component reliability.

Choose from **three color temperatures (CCT)**: 3000K, 4000K, and 5000K

Six mounting hoods allow one fixture to be configured for ceiling, pendant, stanchion, or wall applications.

Three globes; clear and diffused polycarbonate, or clear glass globe provide just the right level of diffusion.

Designed for the Environment



Driver housing design incorporates separate sections for the terminal block and driver.

The efficient thermal design ensures reliable heat transfer from the LED assembly out via the heatsink and the cast, epoxy powder coat, aluminum body.

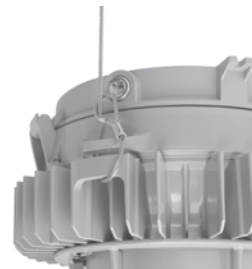
Safety Features



Latch Assembly and Hinge: Captive, stainless steel latch assembly (bolt and nut) closes securely while providing resistance to corrosive atmospheres.

Swing-away design simplifies wiring and installation. Extra high hinge provides additional protection against accidental driver housing disengagement during installation or maintenance.

Safety Cable



Safety cable is slipped around the housing through retention points that are casted in. Safety cable has built in loops combined with a locking carabiner to allow for a quick and secure installation.

LED/HIGH BAY: NEC/CEC ENCLOSED AND GASKETED

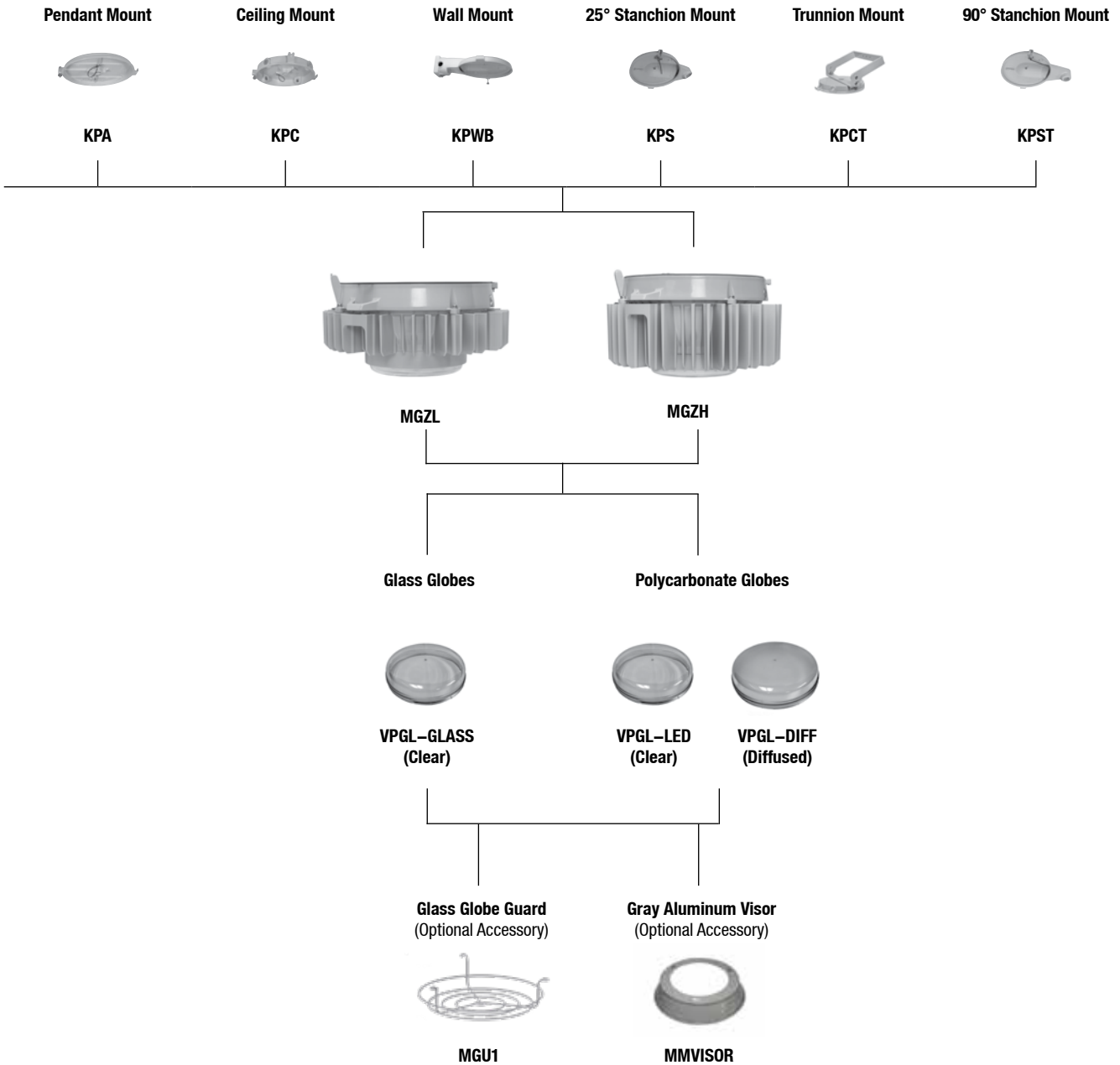
APPLETON

Mercmaster™ LED Generation 3 Zone 1 Series Luminaires

Enclosed and Gasketed Fixtures

ATEX/IECEX:
 Zone 1, 2, 21, 22
 Ex eb mb op is IIC
 II 2 GD
 IP66/67
 IK08

Mercmaster™ Zone 1 LED Family Tree



LED/HIGH BAY- NEC/CEC ENCLOSED AND GASKETED

APPLETON™

Mercmaster™ LED Generation 3 Zone 1 Series Luminaires

Enclosed and Gasketed Fixtures

ATEX/IECEx:
 Zone 1, 2, 21, 22
 Ex eb mb op is IIC
 Ⓢ II 2 GD
 IP66/67
 IK08

Order using catalog numbering guides below or select catalog number from tables on following pages.

<u>MGZ</u>	<u>A</u>	<u>L3</u>	<u>2</u>	<u>C</u>	<u>P</u>	<u>W</u>	<u>BU</u>
Series: MGZ - Mercmaster LED Generation 3 Zone 1 Series	Mounting: A - Pendant C - Ceiling R - 90° Stanchion ① S - 25° Stanchion ① T - Trunnion W - Wall Blank - Without Hood	Lumen Level (nominal): ② L3 - 3,500 L5 - 5,500 L7 - 7,500 H9 - 9,500 H1 - 11,500 H3 - 13,500 H6 - 17,500	Hub Size: 2 - 3/4" NPT 3 - 1" NPT 4 - 1-1/4" NPT stanchion 5 - 1-1/2" NPT stanchion 6 - Metric M20	Color Temperature: C - Cool, 5000K N - Neutral, 4000K W - Warm, 3000K	Globe Material: P - Clear Polycarbonate Globe D - Diffused Polycarbonate Globe G - Clear Glass Globe ③	Light Distribution Pattern: W - Type V Wide	Voltage: BU - 120-277 Vac, 50/60Hz; or 170-300 Vdc

LED/HIGH BAY: NEC/CEC ENCLOSED AND GASKETED



① 3/4" NPT, 1" NPT and Metric M20 hub entries are not offered in this mounting option
 ② For lumen output information, see Lumen Values Table in catalog pages.
 ③ Guards for the glass globes are ordered separately. See the Accessories section in the catalog pages for more information.

Mercmaster™ LED Generation 3 Zone 1 Series Luminaires

Enclosed and Gasketed Fixtures

ATEX/IECE:
 Zone 1, 2, 21, 22
 Ex eb mb op is IIC
 II 2 GD
 IP66/67
 IK08

Lumen Values Table

Lumen Output and Efficacy per Globe Type (Type V Wide)										
Series	Amps	Watts	CCT	CRI	Diffused Polycarbonate		Clear Polycarbonate		Clear Glass	
					Lumens	Efficacy (lm/w)	Lumens	Efficacy (lm/w)	Lumens	Efficacy (lm/w)
MGZL3	0.26	30	5000K	70	3,494	116	3,636	121	3,807	127
			4000K	80	3,225	108	3,356	112	3,514	117
			3000K		3,130	104	3,258	109	3,411	114
MGZL5	0.39	46	5000K	70	5,193	113	5,405	118	5,659	123
			4000K	80	4,794	104	4,989	108	5,223	114
			3000K		4,653	101	4,843	105	5,070	110
MGZL7	0.48	57	5000K	70	7,321	128	7,616	134	7,967	140
			4000K	80	7,138	125	7,426	130	7,768	136
			3000K		6,486	114	6,748	118	7,059	124
MGZH9	0.63	75	5000K	70	9,419	126	9,826	131	10,270	137
			4000K	80	9,184	122	9,580	128	10,014	134
			3000K		8,345	111	8,705	116	9,100	121
MGZH1	0.78	92	5000K	70	11,401	124	11,893	129	12,429	135
			4000K	80	11,116	121	11,596	126	12,118	132
			3000K		10,101	110	10,537	115	11,012	120
MGZH3	0.94	111	5000K	70	13,542	122	14,124	127	14,761	133
			4000K	80	13,204	119	13,771	124	14,392	130
			3000K		11,998	108	12,514	113	13,078	118
MGZH6	1.17	140	5000K	70	16,409	117	17,126	122	17,874	128
			4000K	80	15,998	114	16,698	119	17,427	124
			3000K		14,538	104	15,174	108	15,836	113

LED/HIGH BAY- NEC/CEC ENCLOSED AND GASKETED

APPLETON™

Mercmaster™ LED Generation 3 Zone 1 Series Luminaires

Enclosed and Gasketed Fixtures

ATEX/IECEX:
 Zone 1, 2, 21, 22
 Ex eb mb op is IIC
 II 2 GD
 IP66/67
 IK08

Electrical Ratings ①

Voltage Suffix	Voltage	Input Power	Input Current	Power Factor	Total Harmonic Distortion	Model Number
BU	120 Vac	33	0.3	0.97	<20	MGZL3
	277 Vac		0.1	0.90		
	170 Vdc		0.2	n/a		
	300 Vdc		0.1	n/a		
	120 Vac	46	0.4	0.98	<20	MGZL5
	277 Vac	45	0.2	0.94		
	170 Vdc	46	0.3	n/a		
	300 Vdc	46	0.2	n/a		
	120 Vac	65	0.6	0.98	<20	MGZL7
	277 Vac	64	0.3	0.90		
	170 Vdc	64	0.4	n/a		
	300 Vdc	64	0.2	n/a		
	120 Vac	82	0.7	0.98	<20	MGZH9
	277 Vac	80	0.3	0.93		
	170 Vdc	81	0.5	n/a		
	300 Vdc	80	0.3	n/a		
	120 Vac	101	0.9	0.99	<20	MGZH1
	277 Vac	98	0.4	0.94		
	170 Vdc	99	0.6	n/a		
	300 Vdc	98	0.3	n/a		
120 Vac	121	1	0.98	<20	MGZH3	
277 Vac	116	0.5	0.90			
170 Vdc	118	0.7	n/a			
300 Vdc	117	0.4	n/a			
120 Vac	141	1.2	0.99	<20	MGZH6	
277 Vac	135	0.5	0.92			
170 Vdc	138	0.8	n/a			
300 Vdc	136	0.5	n/a			

LED/HIGH BAY: NEC/CEC ENCLOSED AND GASKETED

APPLETON

① All values are typical (tolerance +/-10%).

Mercmaster™ LED Generation 3 Zone 1 Series Luminaires

Enclosed and Gasketed Fixtures

ATEX/IECEX:
 Zone 1, 2, 21, 22
 Ex eb mb op is IIC
 Ⓢ II 2 GD
 IP66/67
 IK08

ATEX/IECEX Temperature Codes

Gas			Dust			Model Number
T Rating			Surface T°			
Ta= +40 °C (+104 °F)	Ta= +55 °C (+131 °F)	Ta= +65 °C (+149 °F)	Ta= +40 °C (+104 °F)	Ta= +55 °C (+131 °F)	Ta= +65 °C (+149 °F)	
T6	T6	T5	75 °C	75 °C	85 °C	MGZL3
T6	T6	T5	75 °C	75 °C	100 °C	MGZL5
T6	T5	T5	75 °C	85 °C	85 °C	MGZL7
T5	T5	T4	85 °C	85 °C	100 °C	MGZH9
T5	T4	T4	85 °C	85 °C	100 °C	MGZH1
T4	T4	T4	85 °C	100 °C	100 °C	MGZH3
T4	T4	T4	85 °C	100 °C	100 °C	MGZH6

"T" Numbers Represent the Maximum Internal Temperature ② or Maximum Surface Temperature ③

"T" #	NEC/CEC															
	T1	350	325	T2	T2A	T2B	T2C	T2D	T3	T3A	T3B	T3C	T4	T4A	T5	T6
Temp. Range °C (°F)	351 - 450 (664 - 842)	326 - 350 (619 - 662)	301 - 325 (574 - 617)	281 - 300 (538 - 572)	261 - 280 (448 - 500)	231 - 260 (448 - 500)	216 - 230 (421 - 446)	201 - 215 (394 - 419)	181 - 200 (358 - 392)	166 - 180 (331 - 356)	161 - 165 (322 - 329)	136 - 160 (277 - 320)	121 - 135 (250 - 275)	101 - 120 (214 - 248)	86 - 100 (187 - 212)	85 - 185 (185)

"T" #	ATEX/IECEX						
	T1	T2	T3	T4	T5	T6	
Temp. Range °C (°F)	301 - 450 (547 - 842)	201 - 300 (394 - 572)	136 - 200 (277 - 392)	101 - 135 (214 - 275)	86 - 100 (187 - 212)	85 - 185 (185)	

① Ambient Temperature Range: -40 °C to +65 °C (-40 °F to +149 °F)







② T numbers represent the maximum internal temperature for Class I, Division 2 and Class I, Zone 2 locations designated by the NEC.

③ T numbers represent the maximum surface temperature under a dust blanket for Class II, Division 1 and Class I, Zone 2 as designated by the NEC or Zone 2 (Gas) and 22 (Dust) locations as designated by the IEC.

Mercmaster™ LED Generation 3 Zone 1 Series Luminaires

Enclosed and Gasketed Fixtures

ATEX/IECEX:
 Zone 1, 2, 21, 22
 Ex eb mb op is IIC
 II 2 GD
 IP66/67
 IK08

Mounting Hoods			
	Description	Hub Size	Catalog Number
	Weight in kg (lbs)		
Pendant		3/4	KPA-75
		1	KPA-100
		M20	KPA-M20
Trunnion		3/4	KPCT-75
		1	KPCT-100
Ceiling		3/4	KPC-75
		1	KPC-100
		M20	KPC-M20
Wall		3/4	KPWB-75
		1	KPWB-100
		M20	KPWB-M20
25° Stanchion		1-1/4	KPS-125
		1-1/2	KPS-150
90° Stanchion		1-1/4	KPST-125
		1-1/2	KPST-150

LED/HIGH BAY: NEC/CEC ENCLOSED AND GASKETED







APPLETON

Mercmaster™ LED Generation 3 Zone 1 Series Luminaires

Enclosed and Gasketed Fixtures

ATEX/IECEX:
 Zone 1, 2, 21, 22
 Ex eb mb op is IIC
 II 2 GD
 IP66/67
 IK08

Accessories and Replacement Parts

	Description	Weight kg (lbs)	Catalog Number NEC/CEC
Globes and Gaskets			
	Clear Globe (polycarbonate)	0.2 (0.5)	VPGL-LED
	Diffused Globe (polycarbonate)	0.2 (0.5)	VPGL-DIFF
	Glass Globe — Clear	0.8 (1.7)	VPGL-GLASS
Globe Guards and Safety Chain			
	Globe Guard	0.2 (0.4)	MGU1
	Safety Cable	0.2 (0.4)	LEDSC
Drain Plug			
	3" long, 1/2" trade size drain assembly used to divert water existing in the conduit system	0.4 (0.9)	LEDDR3

LED/HIGH BAY- NEC/CEC ENCLOSED AND GASKETED

APPLETON™

① Adapters are cCSAus rated only
 ② Glass Prismatic Refractor is cCSAus rated only.

Mercmaster™ LED Generation 3 Zone 1 Series Luminaires

Enclosed and Gasketed Fixtures

ATEX/IECEX:
 Zone 1, 2, 21, 22
 Ex eb mb op is IIC
 II 2 GD
 IP66/67
 IK08

Replacement Drivers

Voltage	Driver Wattage	Constant Current Setting	Luminaire Models	CCT	Catalog Number
BU	30 Watt	500 mA	MGZL3	5000K	APMZ050C135UD50
				4000K	
				3000K	
	46 Watt	780 mA	MGZL5	5000K	APMZ050C135UD78
				4000K	
				3000K	
	57 Watt	360 mA	MGZL7	5000K	APMZ100C090UD36
				4000K	
3000K					
75 Watt	480 mA	MGZH9	5000K	APMZ100C090UD48	
			4000K		
			3000K		
92 Watt	595 mA	MGZH1	5000K	APMZ100C090UD59	
			4000K		
			3000K		
111 Watt	720 mA	MGZH3	5000K	APMZ150C135UD72	
			4000K		
			3000K		
140 Watt	900 mA	MGZH6	5000K	APMZ150C135UD90	
			4000K		
			3000K		



LED/HIGH BAY: NEG/CEC ENCLOSED AND GASKETED

Mercmaster LED Zone 1 Weights

Description	Weight in kg (lbs)
MGZL Housing	9.5 (21.0)
MGZH Housing	12.5 (27.5)

APPLETON™

Mercmaster™ LED Generation 3 Zone 1 Series Luminaires

Enclosed and Gasketed Fixtures

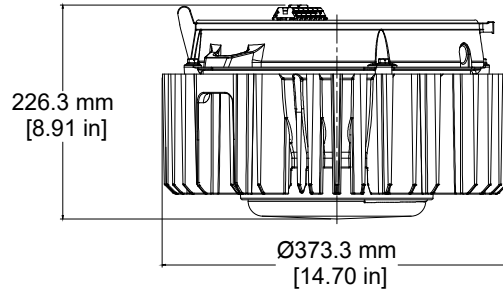
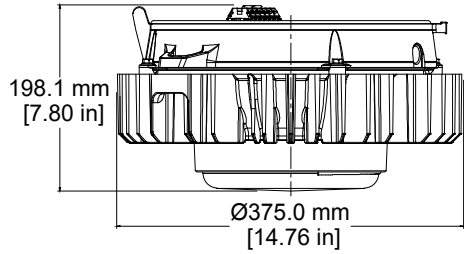
ATEX/IECEX:
 Zone 1, 2, 21, 22
 Ex eb mb op is IIC
 II 2 GD
 IP66/67
 IK08

Dimensional Drawings

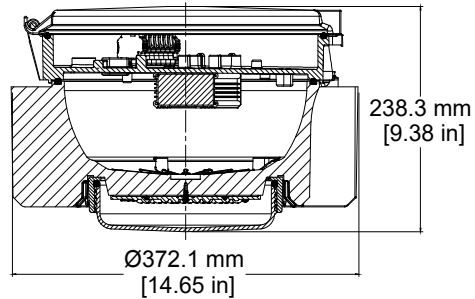
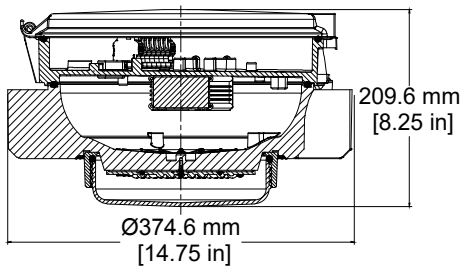
MGZL3 to MGZ7

MGZH9 to MGZH6

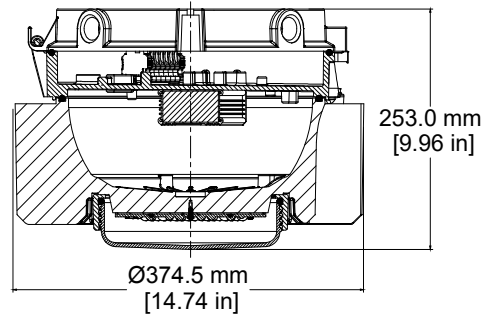
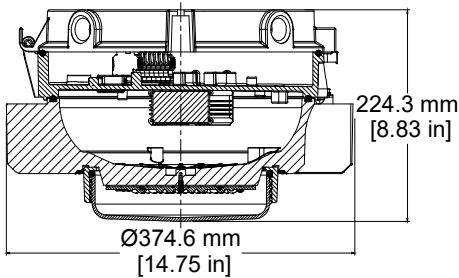
Driver Housing



Pendant



Ceiling



LED/HIGH BAY: NEC/CEC ENCLOSED AND GASKETED

APPLETON™

Mercmaster™ LED Generation 3 Zone 1 Series Luminaires

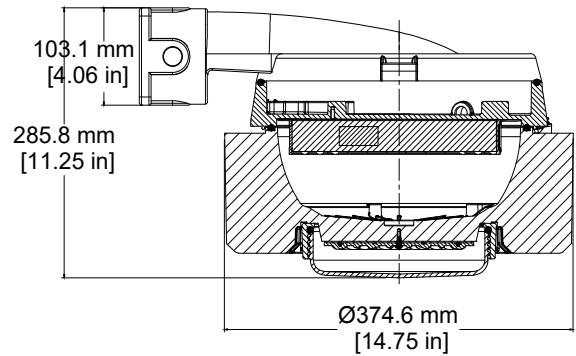
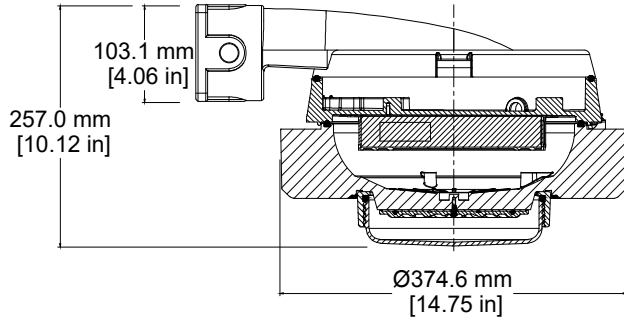
Enclosed and Gasketed Fixtures

ATEX/IECEX:
 Zone 1, 2, 21, 22
 Ex eb mb op is IIC
 II 2 GD
 IP66/67
 IK08

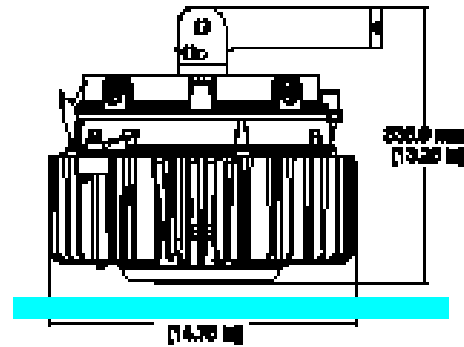
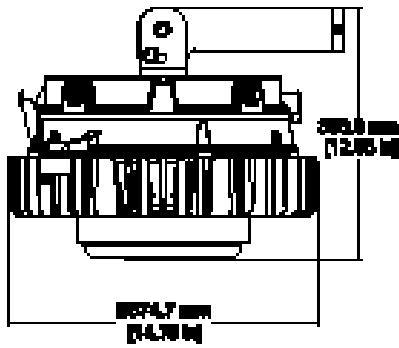
Dimensional Drawings

MGZL3 to MGZ7	MGZH9 to MGZH6
---------------	----------------

Wall Mount



Trunnion Mount



LED/HIGH BAY: NEC/CEC ENCLOSED AND GASKETED

APPLETON

Mercmaster™ LED Generation 3 Zone 1 Series Luminaires

Enclosed and Gasketed Fixtures

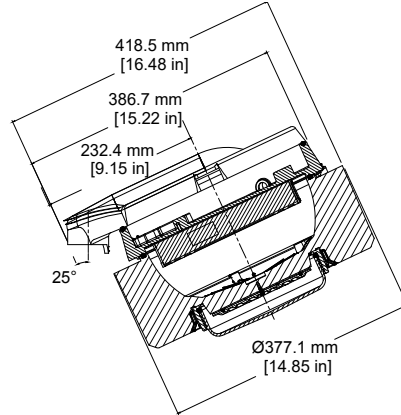
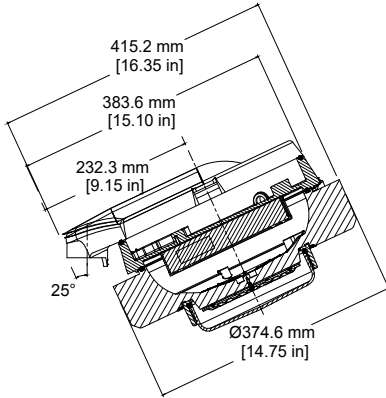
ATEX/IECEX:
 Zone 1, 2, 21, 22
 Ex eb mb op is IIC
 II 2 GD
 IP66/67
 IK08

Dimensional Drawings

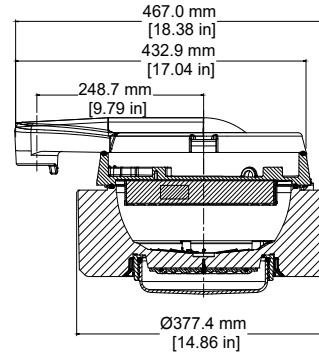
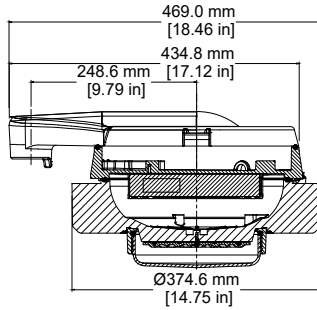
MGZL3 to MGZ7

MGZH9 to MGZH6

25 Degree Stanchion



90 Degree Stanchion



LED/HIGH BAY: NEC/CEC ENCLOSED AND GASKETED

APPLETON™

Mercmaster™ LED Generation 3 Zone 1 Series Luminaires

Enclosed and Gasketed Fixtures

ATEX/IECEx:
 Zone 1, 2, 21, 22
 Ex eb mb op is IIC
 II 2 GD
 IP66/67
 IK08

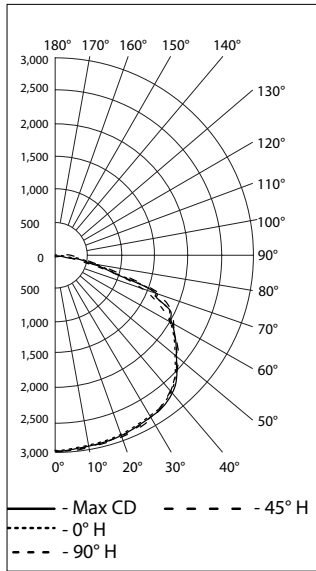
Photometric Data – DATA SHOWN IS ABSOLUTE

Type V Wide, Diffused Polycarbonate 5000K CCT

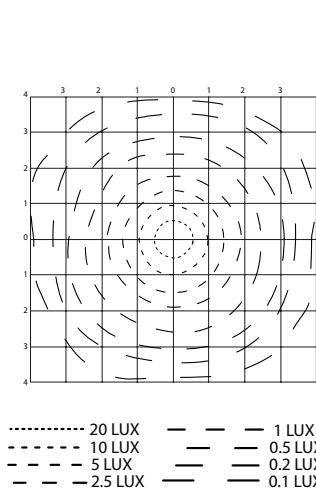
REPORT NUMBER: MGZH1CDWBU

Luminaire Lumens 11,500

POLAR CANDELA DISTRIBUTION



ISOLUX PLOT



ZONAL LUMEN SUMMARY

Zone	Lumens	% Luminaire
0-30	2,404.5	21.1%
0-40	4,135.8	36.3%
0-60	8,126.6	71.3%
60-90	3,104.4	27.2%
70-100	1,339.0	11.7%
90-120	162.1	1.4%
0-90	11,231.0	98.5%
90-180	169.6	1.5%
0-180	11,400.7	100%

LUMENS PER ZONE

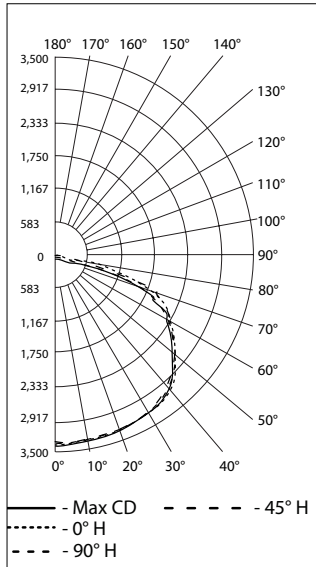
Zone	Lumens	% Total	Zone	Lumens	% Total
0-10	277.9	2.4%	90-100	82.4	0.7%
10-20	815.0	7.1%	100-110	59.3	0.5%
20-30	1,311.6	11.5%	110-120	20.4	0.2%
30-40	1,731.3	15.2%	120-130	5.3	0%
40-50	1,987.5	17.4%	130-140	1.2	0%
50-60	2,003.4	17.6%	140-150	0.4	0%
60-70	1,847.8	16.2%	150-160	0.3	0%
70-80	1,012.8	8.9%	160-170	0.2	0%
80-90	243.8	2.1%	170-180	0.1	0%

Type V Wide, Diffused Polycarbonate 5000K CCT

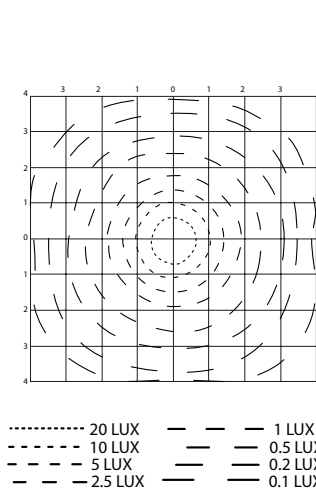
REPORT NUMBER: MGZH3CDWBU

Luminaire Lumens 13,500

POLAR CANDELA DISTRIBUTION



ISOLUX PLOT



ZONAL LUMEN SUMMARY

Zone	Lumens	% Luminaire
0-30	2,863.8	21.1%
0-40	4,925.4	36.4%
0-60	9,671.4	71.4%
60-90	3,669.1	27.1%
70-100	1,577.1	11.6%
90-120	192.4	1.4%
0-90	13,340.5	98.5%
90-180	201.6	1.5%
0-180	13,542.1	100%

LUMENS PER ZONE

Zone	Lumens	% Total	Zone	Lumens	% Total
0-10	330.9	2.4%	90-100	97.8	0.7%
10-20	970.8	7.2%	100-110	70.4	0.5%
20-30	1,562.1	11.5%	110-120	24.2	0.2%
30-40	2,061.6	15.2%	120-130	6.4	0%
40-50	2,364.8	17.5%	130-140	1.5	0%
50-60	2,381.3	17.6%	140-150	0.6	0%
60-70	2,189.7	16.2%	150-160	0.4	0%
70-80	1,191.8	8.8%	160-170	0.3	0%
80-90	287.6	2.1%	170-180	0.1	0%

LED/HIGH BAY: NEC/CFC ENCLOSED AND GASKETED

APPLETON

Mercmaster™ LED Generation 3 Zone 1 Series Luminaires

Enclosed and Gasketed Fixtures

ATEX/IECEx:
 Zone 1, 2, 21, 22
 Ex eb mb op is IIC
 II 2 GD
 IP66/67
 IK08

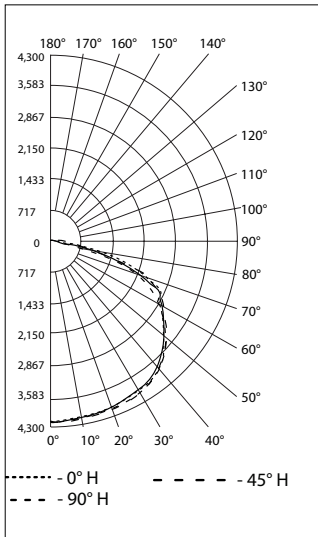
Photometric Data – DATA SHOWN IS ABSOLUTE

Type V Wide, Diffused Polycarbonate 5000K CCT

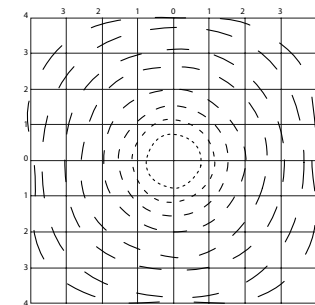
REPORT NUMBER: MGZH6CDWBU

Luminaire Lumens 17,500

POLAR CANDELA DISTRIBUTION



ISOLUX PLOT



ZONAL LUMEN SUMMARY

Zone	Lumens	% Luminaire
0-30	3,482.0	21.2%
0-40	5,988.7	36.5%
0-60	11,750.1	71.6%
60-90	4,417.1	26.9%
70-100	1,885.8	11.5%
90-120	230.6	1.4%
0-90	16,167.1	98.5%
90-180	241.3	1.5%
0-180	16,408.5	100%

LUMENS PER ZONE

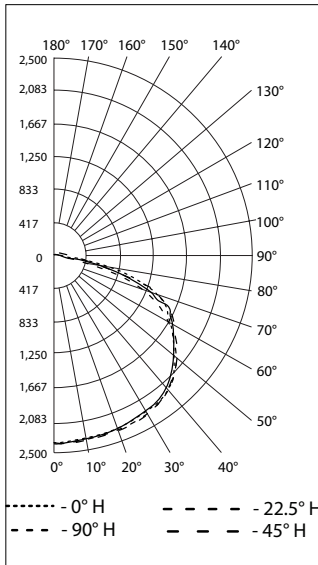
Zone	Lumens	% Total	Zone	Lumens	% Total
0-10	402.3	2.5%	90-100	116.9	0.7%
10-20	1,180.3	7.2%	100-110	84.7	0.5%
20-30	1,899.4	11.6%	110-120	29.0	0.2%
30-40	2,506.7	15.3%	120-130	7.6	0%
40-50	2,872.9	17.5%	130-140	1.7	0%
50-60	2,888.5	17.6%	140-150	0.6	0%
60-70	2,648.1	16.1%	150-160	0.5	0%
70-80	1,423.5	8.7%	160-170	0.3	0%
80-90	345.5	2.1%	170-180	0.1	0%

Type V Wide, Diffused Polycarbonate 5000K CCT

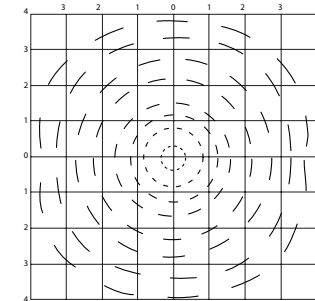
REPORT NUMBER: MGZH9CDWBU

Luminaire Lumens 9,500

POLAR CANDELA DISTRIBUTION



ISOLUX PLOT



ZONAL LUMEN SUMMARY

Zone	Lumens	% Luminaire
0-30	1,980.9	21%
0-40	3,407.7	36.2%
0-60	6,699.8	71.1%
60-90	2,578.5	27.4%
70-100	1,115.4	11.8%
90-120	135.2	1.4%
0-90	9,278.3	98.5%
90-180	140.9	1.5%
0-180	9,419.2	100%

LUMENS PER ZONE

Zone	Lumens	% Total	Zone	Lumens	% Total
0-10	228.9	2.4%	90-100	68.3	0.7%
10-20	671.6	7.1%	100-110	49.6	0.5%
20-30	1,080.5	11.5%	110-120	17.2	0.2%
30-40	1,426.7	15.1%	120-130	4.6	0%
40-50	1,638.8	17.4%	130-140	1.0	0%
50-60	1,653.2	17.6%	140-150	0.0	0%
60-70	1,531.4	16.3%	150-160	0.0	0%
70-80	845.4	9.0%	160-170	0.0	0%
80-90	201.7	2.1%	170-180	0.0	0%

LED/HIGH BAY: NEC/CEC ENCLOSED AND GASKETED

APPLETON™

Mercmaster™ LED Generation 3 Zone 1 Series Luminaires

Enclosed and Gasketed Fixtures

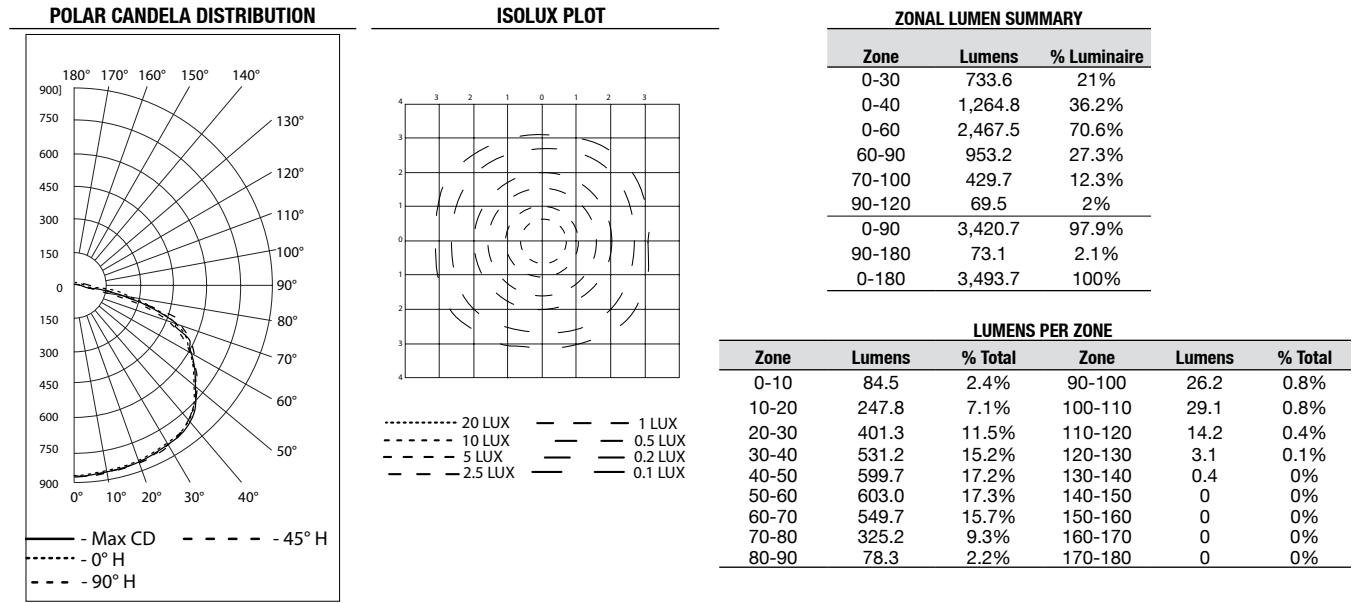
ATEX/IECEx:
 Zone 1, 2, 21, 22
 Ex eb mb op is IIC
 II 2 GD
 IP66/67
 IK08

Photometric Data — DATA SHOWN IS ABSOLUTE

Type V Wide, Diffused Polycarbonate 5000K CCT

REPORT NUMBER: MGZL3CDWBU

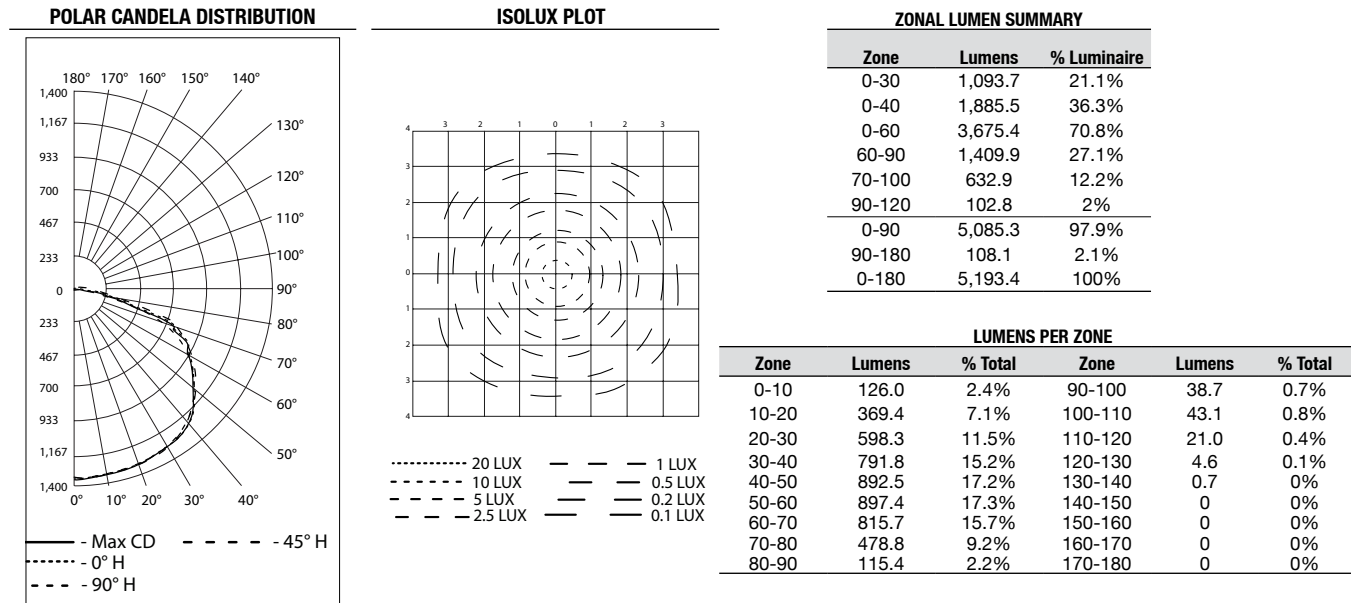
Luminaire Lumens 3,500



Type V Wide, Diffused Polycarbonate 5000K CCT

REPORT NUMBER: MGZL5CDWBU

Luminaire Lumens 5,500



LED/HIGH BAY: NEC/CFC ENCLOSED AND GASKETED

APPLETON

Mercmaster™ LED Generation 3 Zone 1 Series Luminaires

Enclosed and Gasketed Fixtures

ATEX/IECEx:
 Zone 1, 2, 21, 22
 Ex eb mb op is IIC
 II 2 GD
 IP66/67
 IK08

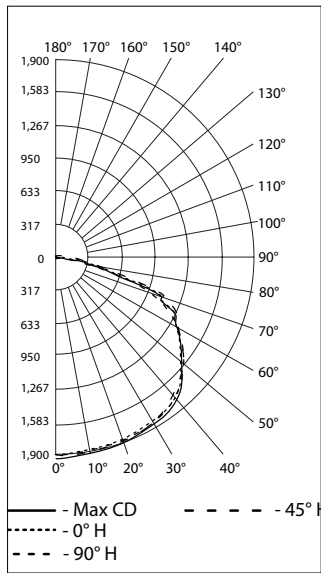
Photometric Data — DATA SHOWN IS ABSOLUTE

Type V Wide, Diffused Polycarbonate 5000K CCT

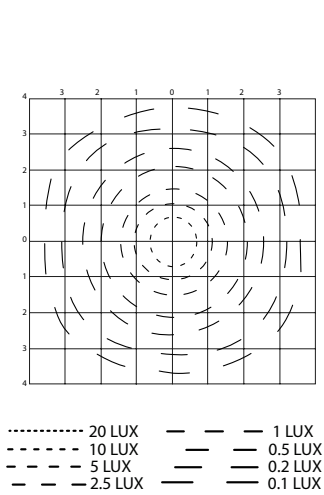
REPORT NUMBER: MGZL7CDWBU

Luminaire Lumens 7,000

POLAR CANDELA DISTRIBUTION



ISOLUX PLOT



Zone	Lumens	% Luminaire
0-30	1,532.5	20.9%
0-40	2,636.9	36%
0-60	5,185.5	70.8%
60-90	1,989.1	27.2%
70-100	860.7	11.8%
90-120	139.0	1.9%
0-90	7,174.6	98%
90-180	146.0	2%
0-180	7,320.6	100%

LUMENS PER ZONE

Zone	Lumens	% Total	Zone	Lumens	% Total
0-10	176.9	2.4%	90-100	54.1	0.7%
10-20	519.6	7.1%	100-110	58.2	0.8%
20-30	836.1	11.4%	110-120	26.7	0.4%
30-40	1,104.3	15.1%	120-130	6.0	0.1%
40-50	1,268.9	17.3%	130-140	1.0	0%
50-60	1,279.8	17.5%	140-150	0	0%
60-70	1,182.5	16.2%	150-160	0	0%
70-80	650.9	8.9%	160-170	0	0%
80-90	155.7	2.1%	170-180	0.0	0%

LED/HIGH BAY- NEC/CEC ENCLOSED AND GASKETED

APPLETON™

Complete IES files can be found on Appleton's website.
 Visit Masteringled.com for more information on Mercmaster LED Generation 3 Series